



RECTANGULAR TAKEOFF FORM

CUSTOMER: _____ DATE: _____ SHIP TO: _____

JOB NAME: _____ P.O. # _____

BUYER: _____ DUE DATE: _____ JOB CONTACT PHONE: _____

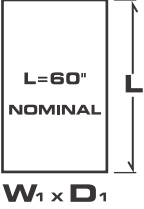
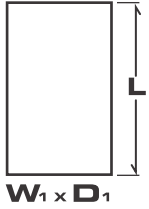
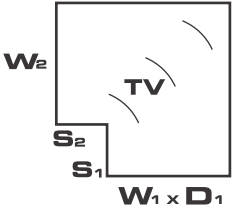
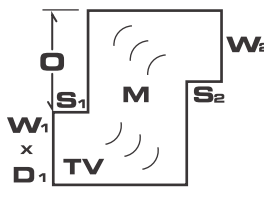
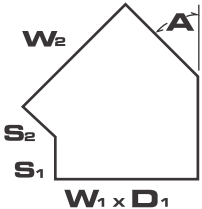
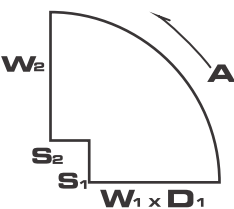
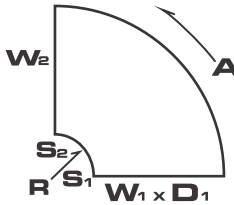
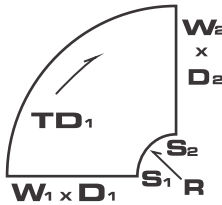
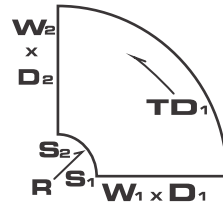
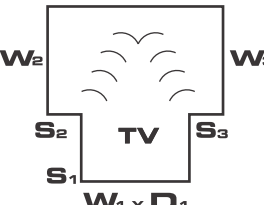
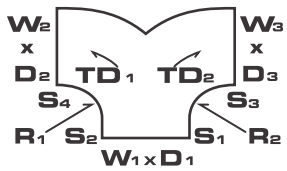
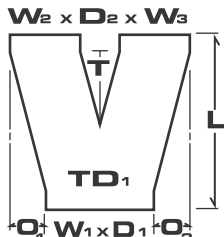
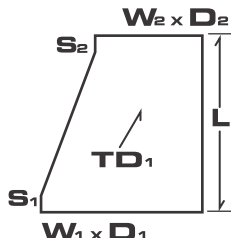
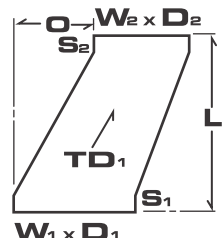
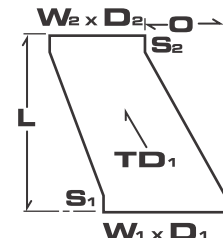
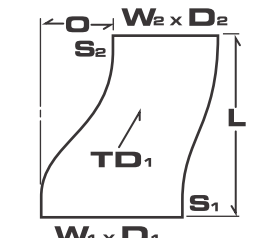
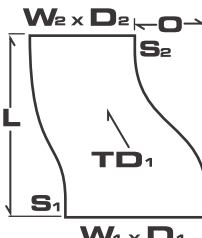
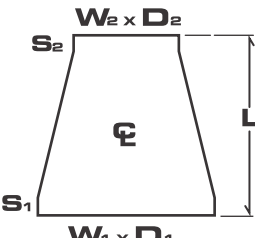
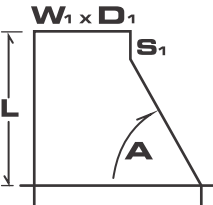
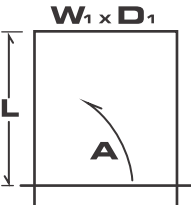
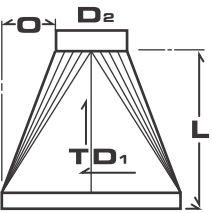

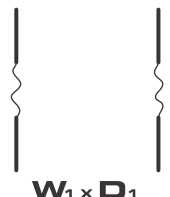
CODE: <input type="checkbox"/> SMACNA <input type="checkbox"/> UMC <input type="checkbox"/> Other	Insulation Brand: R-Value: # ___ x ___	Duct: Assembled <input type="checkbox"/> KD <input type="checkbox"/> Pitts <input type="checkbox"/> SNAP LOCK <input type="checkbox"/>	Stiffening: BEAD <input type="checkbox"/> Cross Break <input type="checkbox"/>	Material Type: _____ Roof Top Duct: Yes <input type="checkbox"/> No <input type="checkbox"/>
Pressure Class: Negative or Positive <input type="checkbox"/> 1/2" <input type="checkbox"/> 2" <input type="checkbox"/> 4" <input type="checkbox"/> 10" <input type="checkbox"/> 1" <input type="checkbox"/> 3" <input type="checkbox"/> 6" <input type="checkbox"/>	End Connectors TDC <input type="checkbox"/> Duct Mate <input type="checkbox"/> S & D <input type="checkbox"/>	Cold Sealant: In Seams Yes <input type="checkbox"/> No <input type="checkbox"/>	Fittings ASSEMBLED <input type="checkbox"/> PreFab <input type="checkbox"/> Pitts <input type="checkbox"/> Snap Lock <input type="checkbox"/>	Exposed = 1 Label Per Piece Yes <input type="checkbox"/> No <input type="checkbox"/>

Type	Qty	Ga	W1	D1	W2	D2	W3	D3	L	S1	S2	S3	S4	O1	O2	TD1	TD2	T	A	R1	R2	TV	M	Remarks:
1																								
2																								
3																								
4																								
5																								
6																								
7																								
8																								
9																								
10																								
11																								
12																								
13																								
14																								
15																								

210 N. Pasedena St.
Gilbert, AZ 85233

Phone: 480-339-1900
Fax: 480-339-1901

KOLSTENINDUSTRIAL.COM

<p>D-1</p> 	<p>D-2</p> 	<p>F-1</p> 	<p>F-2</p> 	<p>F-3</p> 	<p>F-4</p> 
<p>F-5</p> 	<p>F-6</p> 	<p>F-7</p> 	<p>F-8</p> 	<p>F-9</p> 	<p>F-10</p> 
<p>F-11</p> 	<p>F-12</p> 	<p>F-13</p> 	<p>F-14</p> 	<p>F-15</p> 	<p>F-16</p> 
<p>F-17</p>  <p>TAP-IN</p>	<p>F-18</p>  <p>TAP-IN</p>	<p>F-19</p> 	<p>F-20</p>  <p>PUSH ON</p> <p>W1 x D1</p> <p>TDC CAP <input type="checkbox"/></p> <p>S&D CAP <input type="checkbox"/></p> <p>PAN CAP <input type="checkbox"/></p>	<p>F-21</p>  <p>W1 x D1</p>	<p>F-22</p>