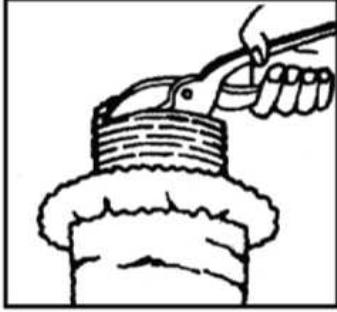
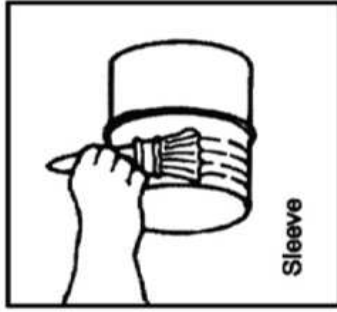
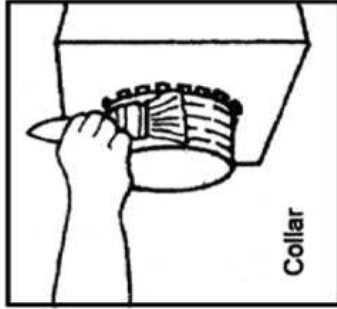


Connections and Splices

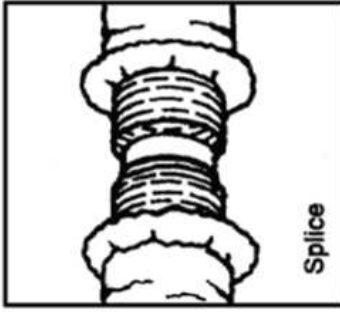
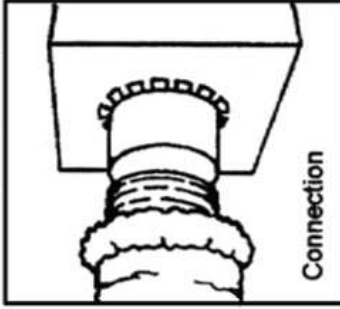
1. After cutting duct to desired length, fold back jacket and insulation exposing core. Trim core ends squarely using suitable metal shears. Determine optional sealing method (Steps 2 or 5) before proceeding.



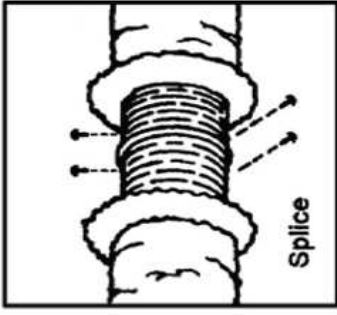
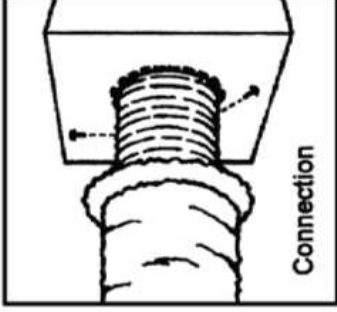
2. When mastics are required and for pressures 4" w.g. [1000 Pa] and over, seal joint with mastic applied uniformly to the outside surface of collar/sleeve. (Disregard this step when not using mastics and proceed to Step 3).



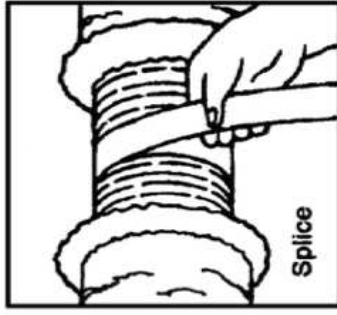
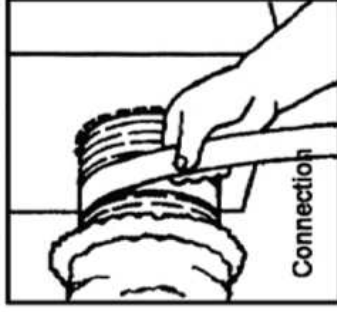
3. Slide at least 1" [25 mm] of core over metal collar for attaching duct to take off or over ends of a 4" [100 mm] metal sleeve for splicing 2 lengths of duct.



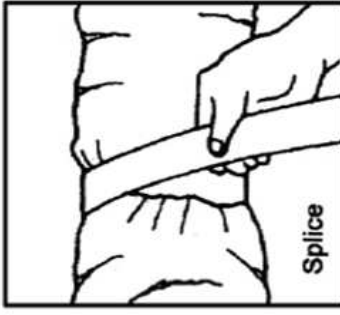
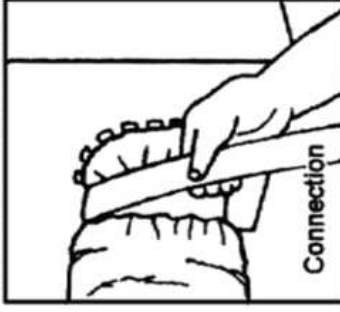
4. Secure to collar/sleeve using #8 sheet metal screws spaced equally around circumference. Use 3 screws for diameters under 12" [300 mm] and 5 screws for diameters 12" [300 mm] and over.



5. For pressures under 4" w.g. [1000 Pa] seal joint using 2 wraps of duct tape applied over screw heads and spirally lapping tape to collar/sleeve. (Disregard this step when using mastics per Step 2).



6. Pull jacket and insulation back over core. Tape jacket with 2 wraps of duct tape. A clamp may be used in place of or in combination with the duct tape.



NOTES:

1. For uninsulated air ducts and air connectors, disregard references to insulation and jacket.
2. Use mastics listed and labeled to Standard UL 181B and marked "181B-M" on container.
3. Use tapes listed and labeled to Standard UL 181B and marked "181B-FX".
4. Nonmetallic clamps shall be listed and labeled in accordance with Standard UL 181B and marked "181B-C".