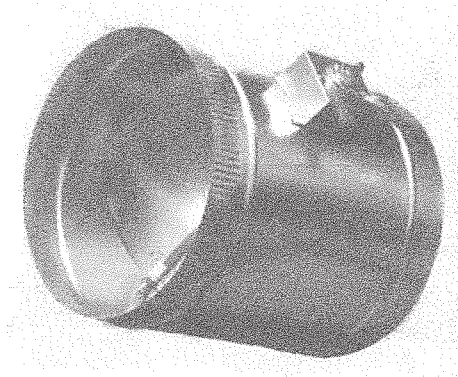


SUBMITTAL



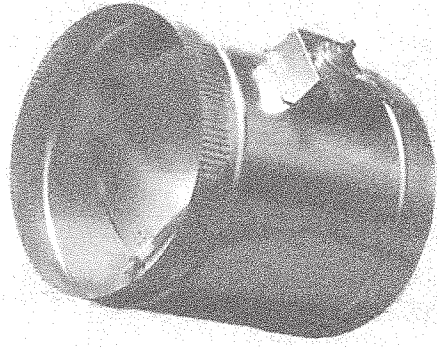
6" to 18" Damper Sleeve

- Material Type: G90 Prime Galvanized ASTM-A-653
- Gauge: 24ga Sleeve with an 18ga Damper Disc
- Standard Length: 2" Longer than the diameter
- Hardware: 3/8" square-rod with damper clips spot welded
- 1 1/2" Stand-off with 3/8" SB138 Open end bearing

Kolsten Industrial
210 N. Pasedena St.
Gilbert, AZ 85233

Phone: (480) 339-1900
FAX: (480) 339-1901
www.kolstenindustrial.com

SUBMITTAL



20" to 24" Damper Sleeve

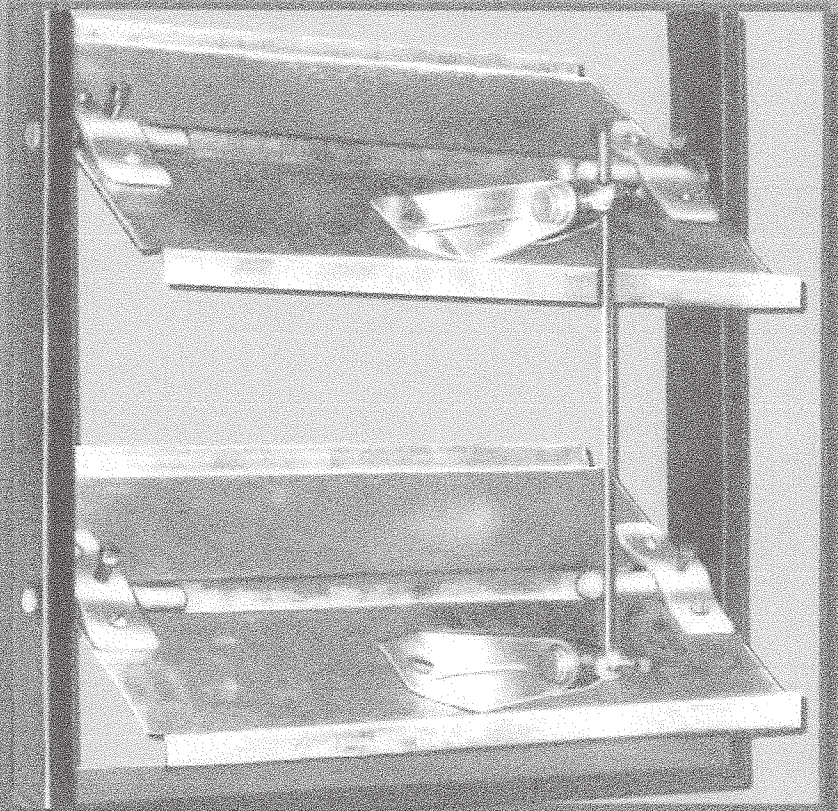
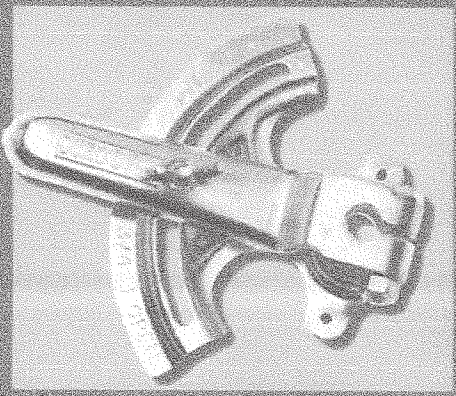
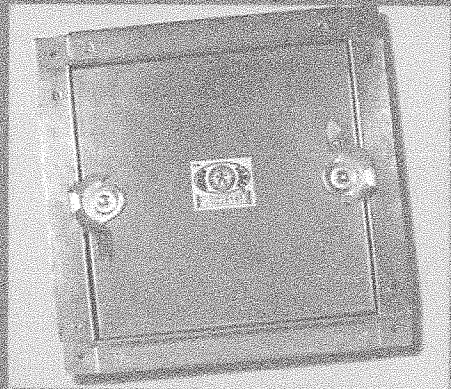
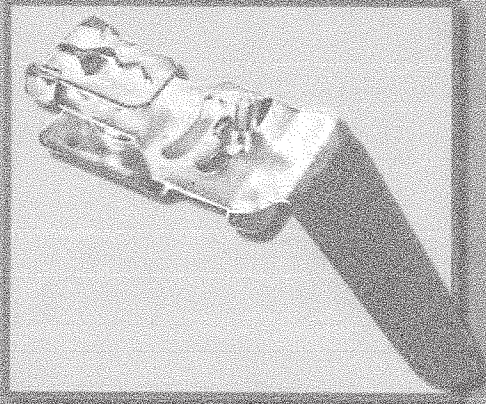
- Material Type: G90 Prime Galvanized ASTM-A-653
- Gauge: 24ga Sleeve with an 18ga Damper Disc
- Standard Length: 2" Longer than the diameter
- Hardware: 1/2" square-rod with damper clips spot welded
- 1 1/2" Stand-off with 1/2" SBI12 Open end bearing

Kolsten Industrial
210 N. Pasedena St.
Gilbert, AZ 85233

Phone: (480) 339-1900
FAX: (480) 339-1901
www.kolstenindustrial.com

**DURO
DYNE**

AIR REGULATION CONTROL EQUIPMENT



PRODUCT CATALOG

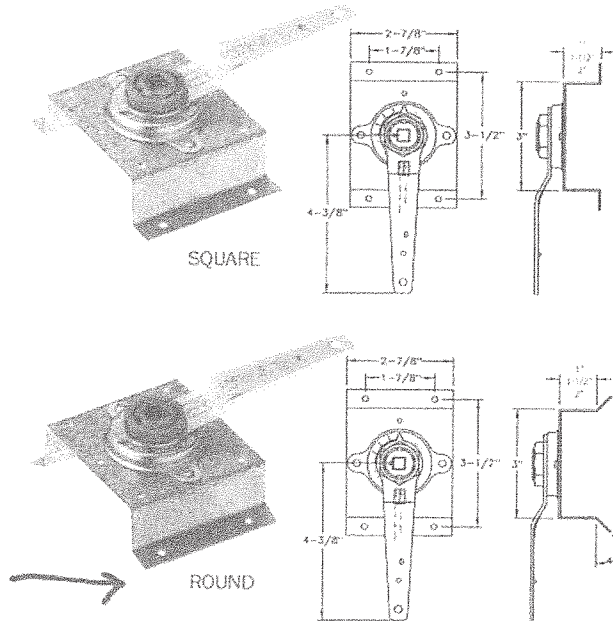


ANAB
Certified to
ISO 9001:2008

TÜV Rheinland
Prestige's Right

STANDOFF REGULATORS

STANDOFF WITH STAMPLINE REGULATOR



SRST SERIES FOR SQUARE DUCT			
ITEM#	MODEL	SHAFT SIZE	STAND HEIGHT
8184	SRST 1-148 w/SRHS-148	1/4" sq.	1"
8318	SRST 1-1/2-148 w/SRHS-148	1/4" sq.	1-1/2"
8196	SRST 2-148 w/SRHS-148	1/4" sq.	2"
8019	SRST 1-388 w/SRHS-388	3/8" sq.	1"
8020	SRST 1-1/2-388 w/SRHS-388	3/8" sq.	1-1/2"
8021	SRST 2-388 w/SRHS-388	3/8" sq.	2"
8208	SRST 1-128 w/SRHS-128	1/2" sq.	1"
8384	SRST 1-1/2-128 w/SRHS-128	1/2" sq.	1-1/2"
8177	SRST 2-128 w/SRHS-128	1/2" sq.	2"

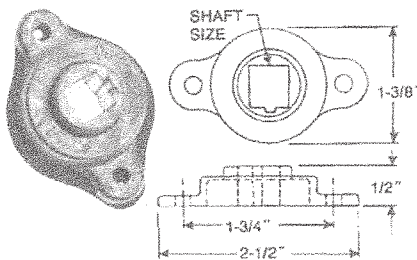
Packed 10 Per Carton.

SRST SERIES FOR ROUND DUCT			
ITEM#	MODEL	SHAFT SIZE	STAND HEIGHT
7353	SRST1R-148 w/SRHS-148	1/4" sq.	1"
7354	SRST1-1/2R-148 w/SRHS-148	1/4" sq.	1-1/2"
7355	SRST2R-148 w/SRHS-148	1/4" sq.	2"
7350	SRST1R-388 w/SRHS-388	3/8" sq.	1"
7351	SRST1-1/2R-388 w/SRHS-388	3/8" sq.	1-1/2"
7352	SRST2R-388 w/SRHS-388	3/8" sq.	2"
7356	SRST1R-128 w/SRHS-128	1/2" sq.	1"
7357	SRST1-1/2R-128 w/SRHS-128	1/2" sq.	1-1/2"
7358	SRST2R-128 w/SRHS-128	1/2" sq.	2"

Packed 10 Per Carton.

SPECLINE PARTS AND ACCESSORIES

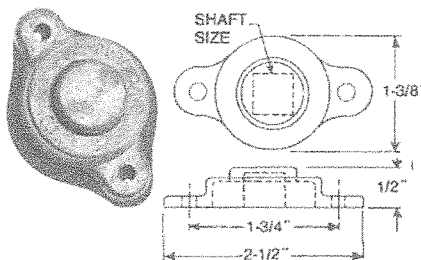
OPEN END BEARING CAST ALLOY



OPEN END		
ITEM#	MODEL	SHAFT SIZE
8025	SB114	1/4" sq.
8027	SB138	3/8" sq.
8029	SB112	1/2" sq.

Packed 25 Per Carton

CLOSED END BEARING CAST ALLOY

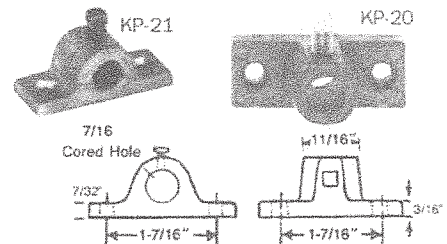


CLOSED END		
ITEM#	MODEL	SHAFT SIZE
8026	SB314	1/4" sq.
8028	SB338	3/8" sq.
8030	SB312	1/2" sq.

Packed 25 Per Carton

DAMPER AND DEFLECTOR CASTINGS

Damper And Deflector Castings control 3/8" round rod where rod is used to operate dampers. Either type can be used.

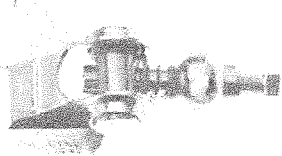


CASTINGS		
ITEM#	MODEL	Description
8037	KP20	Damper Casting
8038	KP21	Deflector Casting

Packed 100 Per Carton

SPLITTER DAMPER BRACKET

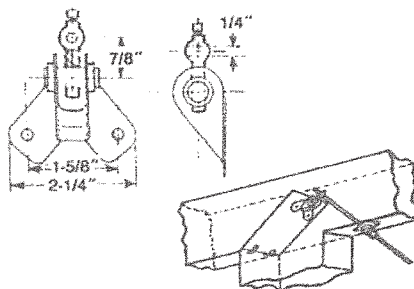
Steel Bracket, Brass Pivot



SPLITTER DAMPER		
ITEM#	MODEL	SHAFT SIZE
8034	SRP40	1/4"
8035	SRP50	5/16"

Packed 25 Per Carton

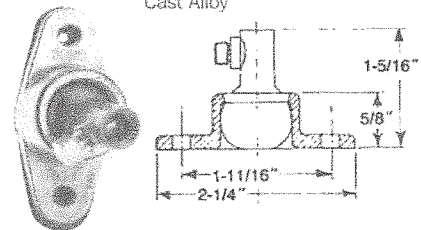
SPLITTER DAMPER HARDWARE



Typical Application Using Ball Joint and Damper Bracket

BALL JOINT DAMPER CASTING

Cast Alloy



BALL JOINT		
ITEM#	MODEL	SHAFT SIZE
8032	SRP14	1/4"
8033	SRP516	5/16"

Packed 25 Per Carton