



ROUND TAKEOFF FORM

JOB NAME:

P.O. #

BUYER:

DUE DATE:

JOB CONTACT PHONE:

CODE:

SMACNA

Other

U.M.C.

Construction:

Spot-Weld

Seam-Weld

Wire-Weld

Pressure Class: Negative or Positive

1/2" 2" 4" 10"

1" 3" 6"

Sealed:

Yes

Yes

Inside

Outside

Exposed:

Yes

No

Material Type:

G90 Galvanized

Paint-Lock

Aluminum 3003 H14

G90 Galvanized

304 Stainless Steel

316 Stainless Steel

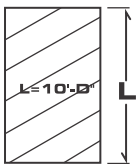

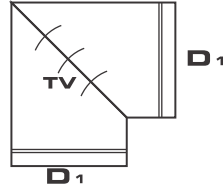
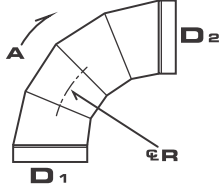
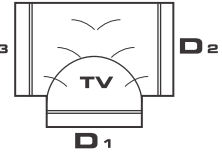
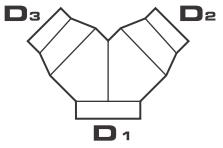
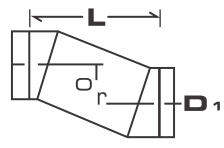
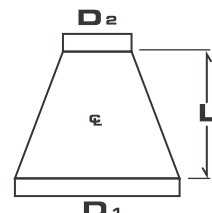
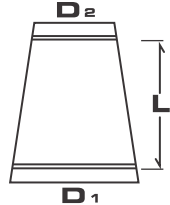
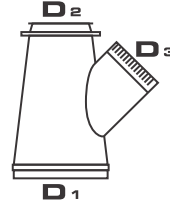
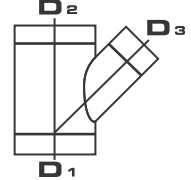
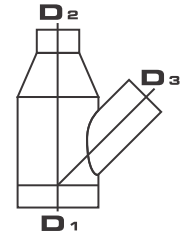
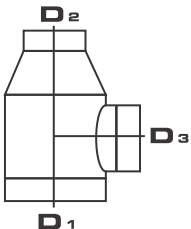
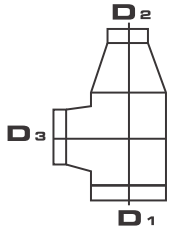
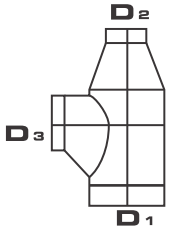
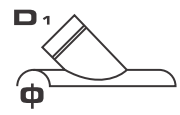
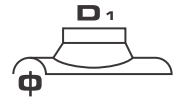
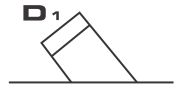
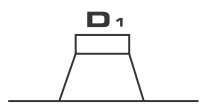
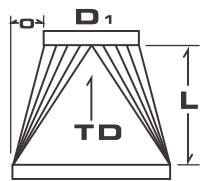



Black Iron

Type	Qty	Ga	D1	D2	D3	D4	A	R	L	O	Ø	W1	D5	TD	TV	Remarks:
1																
2																
3																
4																
5																
6																
7																
8																
9																
10																
11																
12																
13																
14																
15																

210 N. Pasedena St.
Gilbert, AZ 85233

Phone: 480-339-1900
Fax: 480-339-1901

KOLSTENINDUSTRIAL.COM

<p>R-1</p>  <p>SPIRAL</p>	<p>R-2</p>  <p>LONGITUDINAL SEAM</p>	<p>R-3</p>  <p>SQUARE ELL 2-PC</p>	<p>R-4</p>  <p>RADIUS ELL 90°</p>	<p>R-5</p>  <p>BULLHEAD TEE</p>	<p>R-6</p>  <p>PANTS - WYE</p>
<p>R-7</p>  <p>OFFSET</p>	<p>R-8</p>  <p>REDUCER</p>	<p>R-9</p>  <p>TAPER</p>	<p>R-10</p>  <p>LOW PRESSURE WYE</p>	<p>R-11</p>  <p>LATERAL WYE</p>	<p>R-12</p>  <p>REDUCING LATERAL WYE</p>
<p>R-13</p>  <p>90° TEE</p>	<p>R-14</p>  <p>CONICAL TEE</p>	<p>R-15</p>  <p>LOW LOSS TEE</p>	<p>R-16</p>  <p>SADDLE TAP</p>	<p>R-17</p>  <p>CONICAL SADDLE TAP</p>	<p>R-18</p>  <p>SADDLE TAP FLAT</p>
<p>R-19</p>  <p>CONICAL SADDLE FLAT</p>	<p>R-20</p>  <p>W1 x D1 SQUARE TO ROUND</p>	<p>R-21</p>  <p>COUPLING</p>	<p>R-22</p>  <p>END CAP</p>	<p>R-23</p>  <p>FLEX CONNECTOR</p>	<p>R-24</p> 