



# OVAL TAKEOFF FORM

CUSTOMER: \_\_\_\_\_ DATE: \_\_\_\_\_ SHIP TO: \_\_\_\_\_

JOB NAME: \_\_\_\_\_ P.O. # \_\_\_\_\_

BUYER: \_\_\_\_\_ DUE DATE: \_\_\_\_\_ JOB CONTACT PHONE: \_\_\_\_\_




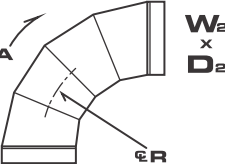

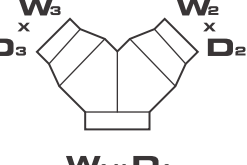
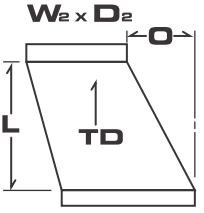
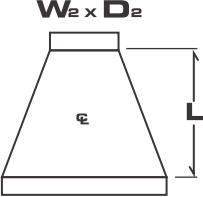
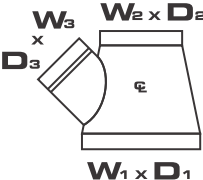
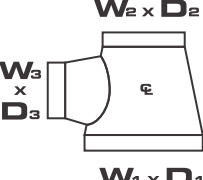
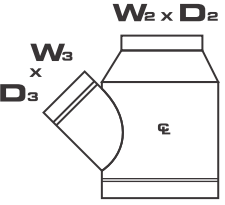
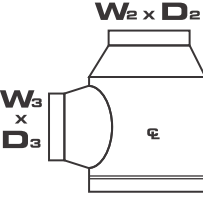
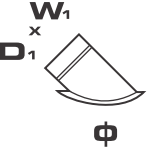

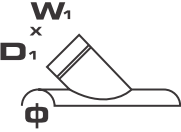

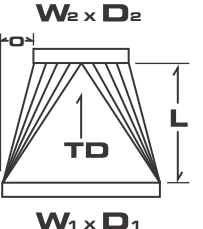




CODE: <input type="checkbox"/> SMACNA <input type="checkbox"/> Other <input type="checkbox"/> U.M.C.	Construction: <input type="checkbox"/> Spot-Weld <input type="checkbox"/> Seam-Weld <input type="checkbox"/> Wire-Weld	Pressure Class: Negative or Positive <input type="checkbox"/> 1/2" <input type="checkbox"/> 2" <input type="checkbox"/> 4" <input type="checkbox"/> 10" <input type="checkbox"/> 1" <input type="checkbox"/> 3" <input type="checkbox"/> 6" <input type="checkbox"/>	Sealed: Yes <input type="checkbox"/> Inside <input type="checkbox"/> Yes <input type="checkbox"/> Outside <input type="checkbox"/>	Exposed: Yes <input type="checkbox"/> No <input type="checkbox"/>	Material Type: <input type="checkbox"/> G90 Galvanized <input type="checkbox"/> Paint-Lock <input type="checkbox"/> Aluminum 3003 H14	<input type="checkbox"/> 304 Stainless Steel <input type="checkbox"/> 316 Stainless Steel <input type="checkbox"/> Black Iron <input type="checkbox"/> Other
---	---	--	--	---	--	---

Type	Qty	Ga	W1	D1	W2	D2	W3	D3	L	O	Ø	TD	A	R	TV	Remarks:
1																
2																
3																
4																
5																
6																
7																
8																
9																
10																
11																
12																
13																
14																
15																

210 N. Pasedena St.  
Gilbert, AZ 85233

Phone: 480-339-1900  
Fax: 480-339-1901

KOLSTENINDUSTRIAL.COM

<p><b>O-1</b></p>  <p><math>W_1 \times D_1</math> LONG SEAM PIPE</p>	<p><b>O-2</b></p>  <p><math>W_1 \times D_1</math> LONG SEAM PIPE</p>	<p><b>O-3</b></p>  <p><math>W_1 \times D_1</math></p>	<p><b>O-4</b></p>  <p><math>W_2 \times D_2</math> <math>W_1 \times D_1</math></p>	<p><b>O-5</b></p>  <p><math>W_1 \times D_1</math></p>	<p><b>O-6</b></p>  <p><math>W_1 \times D_1</math></p>
<p><b>O-7</b></p>  <p><math>W_1 \times D_1</math></p>	<p><b>O-8</b></p>  <p><math>W_1 \times D_1</math></p>	<p><b>O-9</b></p>  <p><math>W_1 \times D_1</math></p>	<p><b>O-10</b></p>  <p><math>W_1 \times D_1</math></p>	<p><b>O-11</b></p>  <p><math>W_1 \times D_1</math></p>	<p><b>O-12</b></p>  <p><math>W_1 \times D_1</math></p>
<p><b>O-13</b></p>  <p><math>W_1 \times D_1</math></p>	<p><b>O-14</b></p>  <p><math>W_1 \times D_1</math></p>	<p><b>O-15</b></p>  <p><math>W_1 \times D_1</math></p>	<p><b>O-16</b></p>  <p><math>W_1 \times D_1</math></p>	<p><b>O-17</b></p>  <p><math>W_1 \times D_1</math></p>	<p><b>O-18</b></p>  <p><math>W_1 \times D_1</math></p>
<p><b>O-19</b></p>  <p><math>W_2 \times D_2</math></p>	<p><b>O-20</b></p>  <p><math>W_2 \times D_2</math></p>	<p><b>O-21</b></p>  <p><math>W_2 \times D_2</math></p>	<p><b>NOTES:</b></p>		